

# FrigoPack® EC FU+/12 Quick-Start Guide

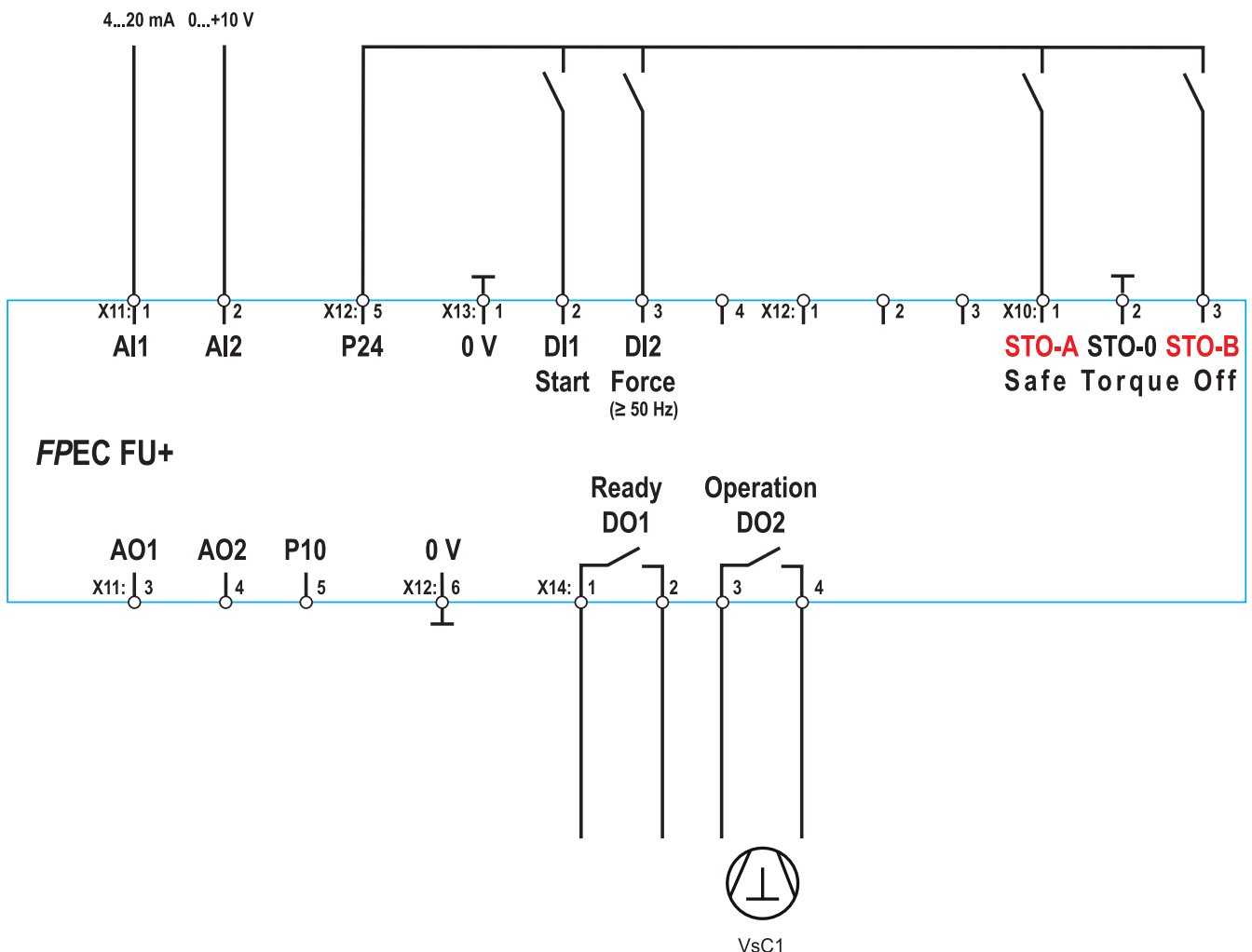
## Refrigeration Inverters with external signal input (0...+10 V / 4...20 mA)

### FrigoSoft 4.7



**Warning:** This is an abbreviated and customized version with recommendations for a first setup of this product. Please refer to the document "Planning Guide *FrigoPack® EC FU+/12*" for detailed information.

### 0. FrigoPack® EC FU+/12 Connections



<b>X12:</b>	<b>X13:</b>	
1 2 3 4 5 6	1 2 3 4 5 6	4
<b>FP FU+</b>		3
1 2 3 4 5 6	1 2 3 4 5 6	2
<b>X11:</b>	<b>X10:</b>	1
		<b>X14:</b>

Terminal designations of *FrigoPack® FU+/12*

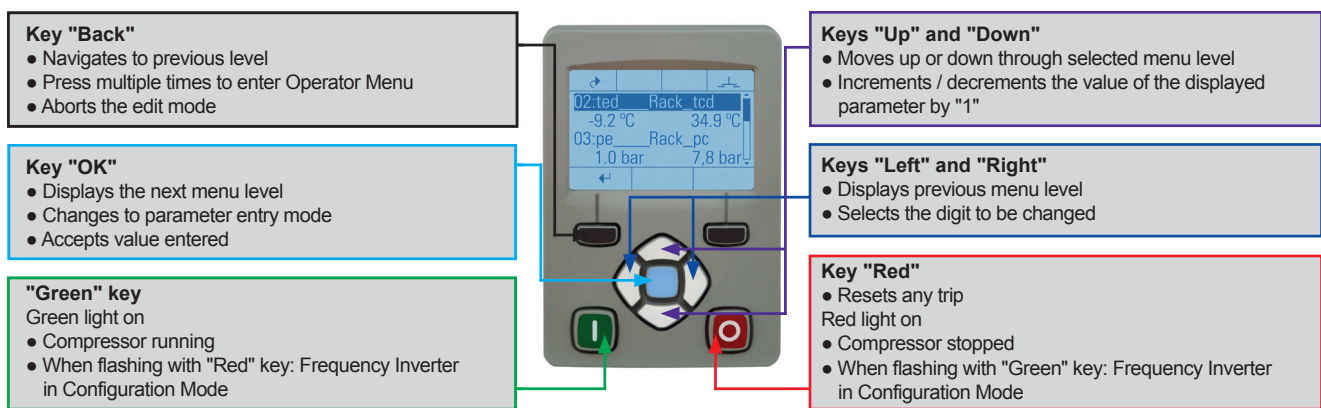
## 1. Basic information on first set-up

Ensure that all recommendations for compliance to mounting, electrical safety, EMC and UL regulations have been adhered to.

### 1.1 Recommendations

- It is important to ensure that an interlocked contactor is fitted between the Refrigeration Inverter and the compressor if a parallel bypass connection is used.
- In particular ensure that two isolated contacts of a relay are connected to the Safe-Torque-Off inputs of **FrigoPack® FU+** Refrigeration Inverter: STO-A (Terminal X10:1) / STO-B (Terminal X10:3).
- Remove start command (cable to terminal X13:2)
- Connect main power supply

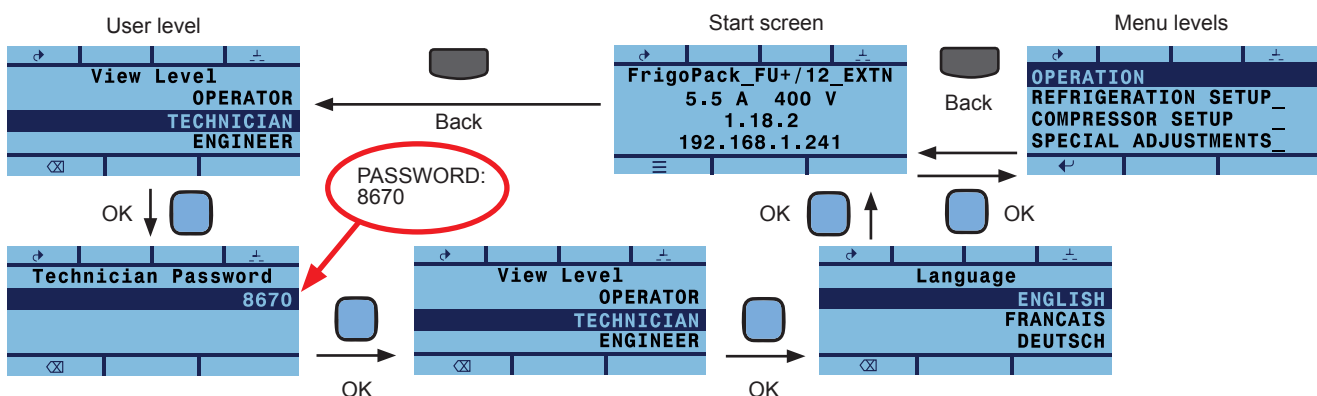
### 1.2 Keypad functionality



### 1.3 Menus - Selection of user level for first set-up

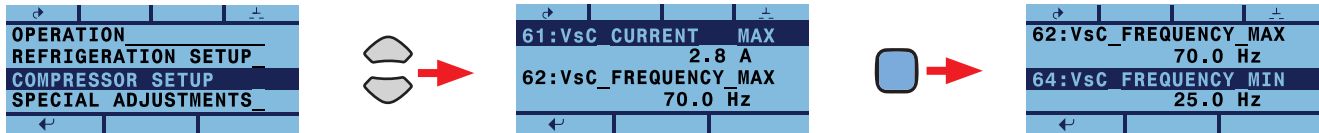
To start commissioning, the user level **TECHNICIAN** must be enabled. Please follow the steps shown below. Press key "Back" several times to access the menu "View Level".

Password for user level **TECHNICIAN**: **8670**. The level is then activated for 10 minutes.



## 2. First set-up

The setting-up of this inverter can be done without SD memory card, as usually only 3 parameters are to be set: Maximum compressor current (parameter 61) as well as maximum and minimum motor frequencies (parameters 62 and 64). You may find these parameters in the menu COMPRESSOR SETUP.



**Caution:** When setting the value of parameter 61, keys "Green" and "Red" are flashing permanently (configuration mode). Confirm your setting with key "OK" and then press "Red" shortly in order to leave the configuration mode!

**Connect start command (cable to terminal X13:2) to start the system!**

Please contact our applications team for any questions in planning or commissioning under [applications@frigokimo.com](mailto:applications@frigokimo.com) or tel +49 (0) 9131 – 934570